



Power Type

NL Series



Features

- High capacitance and low-resistance
- Quick charge & discharge
- Environmentally friendly products
- RoHS & REACH compliant
- UL recognized(File No. MH10260)



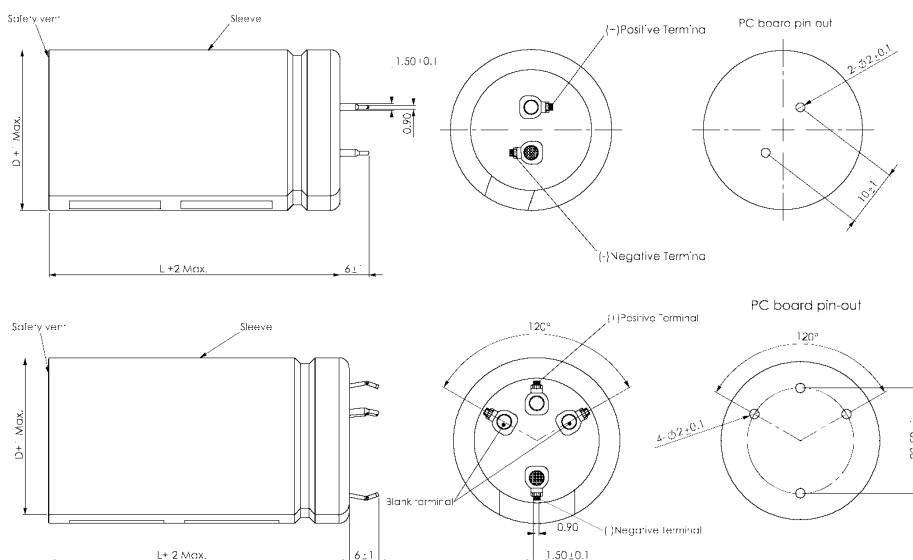
Recommended Applications

- Pulse power demand
- Hybrid battery packs
- Power tools

Specification

Items	Characteristics	
Rated Voltage	2.7 V	2.3 V
Surge Voltage	2.85 V	2.85 V
Capacitance Tolerance	-20 % / +20 %	-20 % / +20 %
Operating Temperature	-40 °C to 65 °C	-40 °C to 85 °C
Storage Temperature	-40 °C to 70 °C	-40 °C to 85 °C
Endurance	1000hrs @ Operating Temperature at Rated Voltage	△C Within ±30% of initial measured value ESR Within 2 times of initial specified value
Shelf Life	1000hrs @Storage Temperature without load	
Life time	10y @ 25 °C at Rated Voltage	
Cycle Life	500k cycles	
	Cycle: between specified voltage and half voltage under constant current at 25°C	

Dimensions



Size List

Size	D	L
22x45	22	45
25x50	25	50
30x50	30	50
35x50	35	50
35x60	35	60



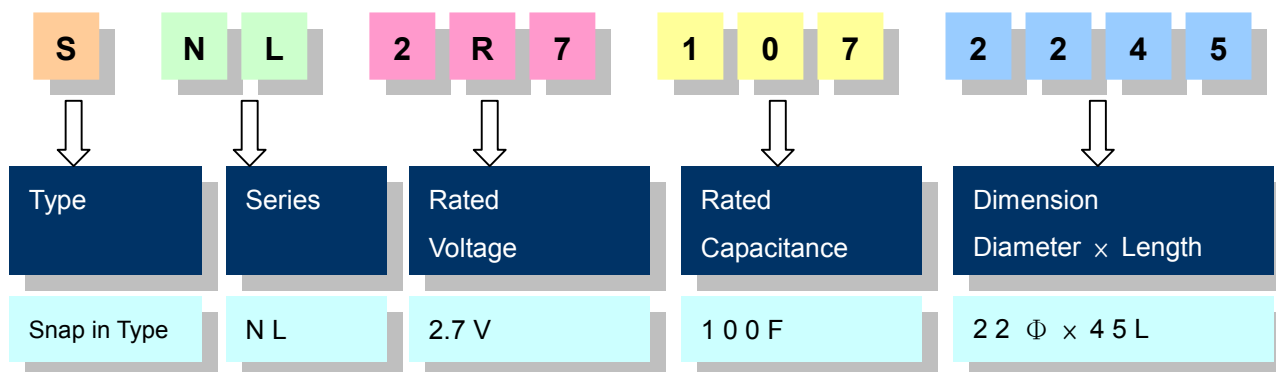


Standard Ratings

Rated Cap (F)	Size (mm)	Max. Internal Resistance (mΩ)		Max. LC (mA)	Stored Energy	Specific Energy		Specific Power		Max. Peak Current	Max. continuous current	ISC	Max. Weight (g)	Part Number
		AC (1kHz, 1V)	DC			72hrs, 25°C	(Wh)	(Wh/kg)	(Wh/l)					
100	22X45	9	15	0.26	0.1013	4.4022	5.9220	2536	5283	54.000	10.00	180	23	SNL2R71072245
150	25X50	7	14	0.50	0.1519	4.7461	6.1911	1953	4068	65.323	12.50	193	32	SNL2R71572550
200	30X50	7	13	0.60	0.2025	4.8214	5.7325	1602	3338	75.000	16.67	208	42	SNL2R72073050
300	35X50	7	13	0.80	0.3038	5.3289	6.3174	1181	2460	82.653	20.00	208	57	SNL2R73073550
400	35X60	5	12	1.20	0.4050	5.4000	7.0194	972	2025	93.103	26.67	225	75	SNL2R74073560

Note. If standard product does not meet your need, please contact us to enquire for customized one.

Part Numbering System





Power Type

NL Series



Features

- High capacitance and low-resistance
- Quick charge & discharge
- Environmentally friendly products
- RoHS & REACH compliant
- UL recognized(File No. MH10260)



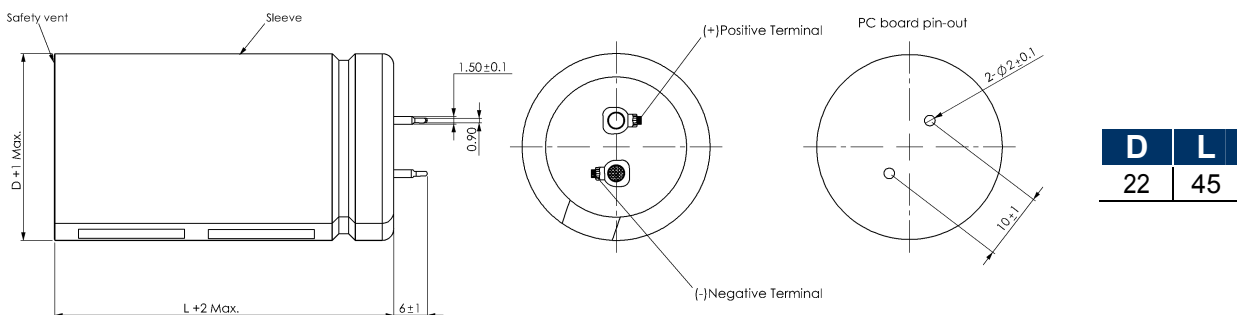
Recommended Applications

- Pulse power demand
- Hybrid battery packs
- Power tools

Specification

Items	Characteristics	
Rated Voltage	2.7 V	2.3 V
Surge Voltage	2.85 V	2.85 V
Capacitance Tolerance	-20 % / +20 %	-20 % / +20 %
Operating Temperature	-40 °C to 65 °C	-40 °C to 85 °C
Storage Temperature	-40 °C to 70 °C	-40 °C to 85 °C
Endurance	1000hrs @ Operating Temperature at Rated Voltage	ΔC Within ±30% of initial measured value ESR Within 2 times of initial specified value
Shelf Life	1000hrs @Storage Temperature without load	
Life time	10y @ 25 °C at Rated Voltage	
Cycle Life	500k cycles	
	Cycle: between specified voltage and half voltage under constant current at 25°C	

Dimensions



Standard Ratings

Rated Cap (F)	Size (mm)	Max. Internal Resistance (mΩ)		Max. LC (mA)	Stored Energy (Wh)	Specific Energy			Specific Power		Max. Peak Current (A)	Max. continuous current (A)	ISC (A)	Max. Weight (g)	Part Number
		AC (1kHz, 1V)	DC			(Wh/kg)	(Wh/l)	Pd (W/kg)	Pmax (W/kg)						
measure at 25°C	ΦDXL			72hrs, 25°C							1s to 1/2V (A)				
100	22X45	9	15	0.26	0.1013	4.4022	5.9220	2536	5283	54.000	10.00	180	23	SNL2R71072245	





Power Type

NL Series

Features

- High capacitance and low-resistance
- Quick charge & discharge
- Environmentally friendly products
- RoHS & REACH compliant
- UL recognized(File No. MH10260)



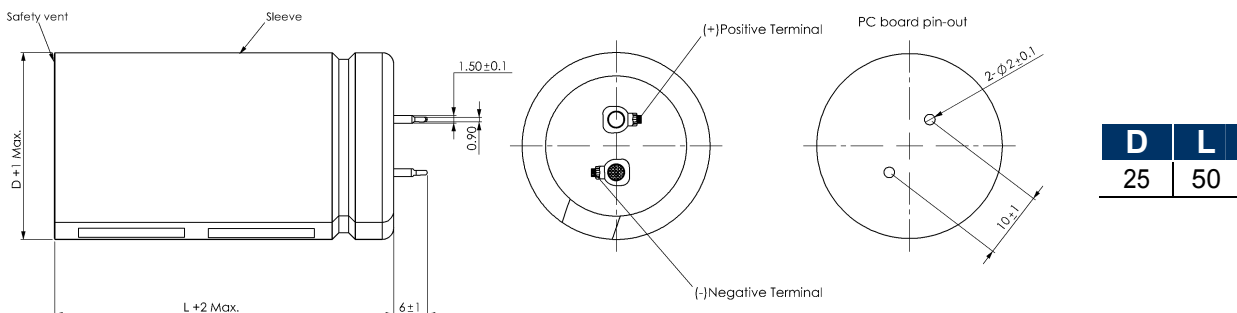
Recommended Applications

- Pulse power demand
- Hybrid battery packs
- Power tools

Specification

Items	Characteristics	
Rated Voltage	2.7 V	2.3 V
Surge Voltage	2.85 V	2.85 V
Capacitance Tolerance	-20 % / +20 %	-20 % / +20 %
Operating Temperature	-40 °C to 65 °C	-40 °C to 85 °C
Storage Temperature	-40 °C to 70 °C	-40 °C to 85 °C
Endurance	1000hrs @ Operating Temperature at Rated Voltage	△C Within ±30% of initial measured value ESR Within 2 times of initial specified value
Shelf Life	1000hrs @Storage Temperature without load	
Life time	10y @ 25 °C at Rated Voltage	
Cycle Life	500k cycles	
Cycle: between specified voltage and half voltage under constant current at 25°C		

Dimensions



Standard Ratings

Rated Cap (F)	Size (mm)	Max. Internal Resistance (mΩ)		Max. LC (mA)	Stored Energy (Wh)	Specific Energy			Specific Power		Max. Peak Current (A)	Max. continuous current (A)	Isc (A)	Max. Weight (g)	Part Number
		AC (1kHz, 1V)	DC			72hrs, 25°C	(Wh/kg)	(Wh/l)	Pd (W/kg)	Pmax (W/kg)					
150	25X50	7	14	0.50	0.1519	4.7461	6.1911	1953	4068	65.323	12.50	193	32	SNL2R71572550	





Power Type

NL Series



Features

- High capacitance and low-resistance
- Quick charge & discharge
- Environmentally friendly products
- RoHS & REACH compliant
- UL recognized (File No. MH10260)



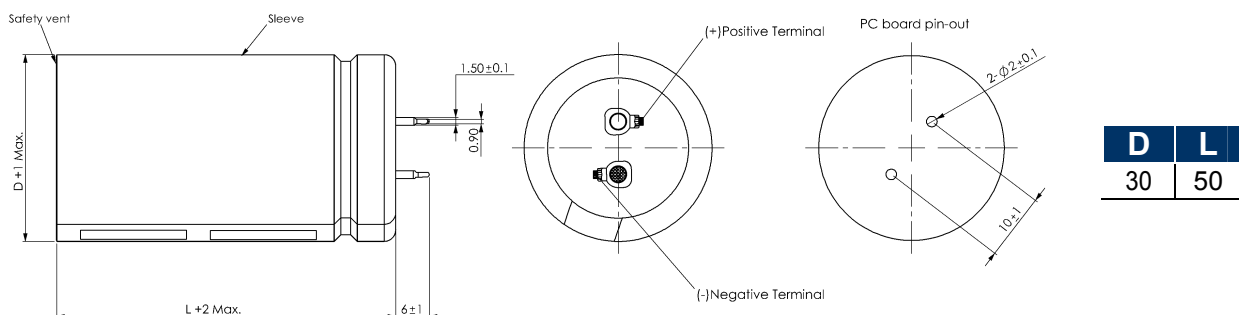
Recommended Applications

- Pulse power demand
- Hybrid battery packs
- Power tools

Specification

Items	Characteristics	
Rated Voltage	2.7 V	2.3 V
Surge Voltage	2.85 V	2.85 V
Capacitance Tolerance	-20 % / +20 %	-20 % / +20 %
Operating Temperature	-40 °C to 65 °C	-40 °C to 85 °C
Storage Temperature	-40 °C to 70 °C	-40 °C to 85 °C
Endurance	1000hrs @ Operating Temperature at Rated Voltage	△C Within ±30% of initial measured value ESR Within 2 times of initial specified value
Shelf Life	1000hrs @Storage Temperature without load	
Life time	10y @ 25 °C at Rated Voltage	
Cycle Life	500k cycles	
Cycle: between specified voltage and half voltage under constant current at 25°C		

Dimensions



Standard Ratings

Rated Cap (F)	Size (mm)	Max. Internal Resistance (mΩ)		Max. LC (mA)	Stored Energy (Wh)	Specific Energy			Specific Power		Max. Peak Current (A)	Max. continuous current (A)	Isc (A)	Max. Weight (g)	Part Number
		AC (1kHz, 1V)	DC			72hrs, 25°C	(Wh/kg)	(Wh/l)	Pd (W/kg)	Pmax (W/kg)					
200	30X50	7	13	0.60	0.2025	4.8214	5.7325	1602	3338	75.000	16.67	208	42	SNL2R72073050	





Power Type

NL Series



Features

- High capacitance and low-resistance
- Quick charge & discharge
- Environmentally friendly products
- RoHS & REACH compliant
- UL recognized (File No. MH10260)



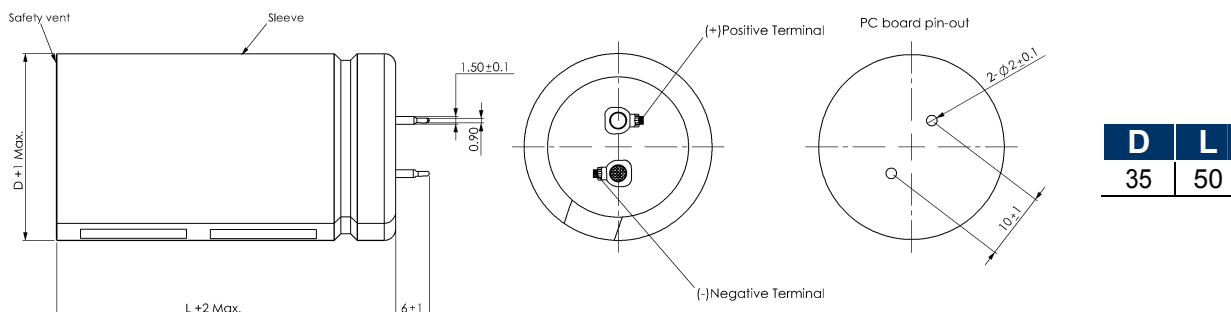
Recommended Applications

- Pulse power demand
- Hybrid battery packs
- Power tools

Specification

Items	Characteristics	
Rated Voltage	2.7 V	2.3 V
Surge Voltage	2.85 V	2.85 V
Capacitance Tolerance	-20 % / +20 %	-20 % / +20 %
Operating Temperature	-40 °C to 65 °C	-40 °C to 85 °C
Storage Temperature	-40 °C to 70 °C	-40 °C to 85 °C
Endurance	1000hrs @ Operating Temperature at Rated Voltage	ΔC Within ±30% of initial measured value ESR Within 2 times of initial specified value
Shelf Life	1000hrs @ Storage Temperature without load	
Life time	10y @ 25 °C at Rated Voltage	
Cycle Life	500k cycles	
Cycle: between specified voltage and half voltage under constant current at 25°C		

Dimensions



Standard Ratings

Rated Cap (F)	Size (mm)	Max. Internal Resistance (mΩ)		Max. LC (mA)	Stored Energy (Wh)	Specific Energy			Specific Power		Max. Peak Current (A)	Max. continuous current (A)	Isc (A)	Max. Weight (g)	Part Number
		AC (1kHz, 1V)	DC			(Wh/kg)	(Wh/l)	Pd (W/kg)	Pmax (W/kg)						
300	35X50	7	13	0.80	0.3038	5.3289	6.3174	1181	2460	82.653	20.00	208	57	SNL2R73073550	





Power Type

NL Series



Features

- High capacitance and low-resistance
- Quick charge & discharge
- Environmentally friendly products
- RoHS & REACH compliant
- UL recognized (File No. MH10260)

Recommended Applications

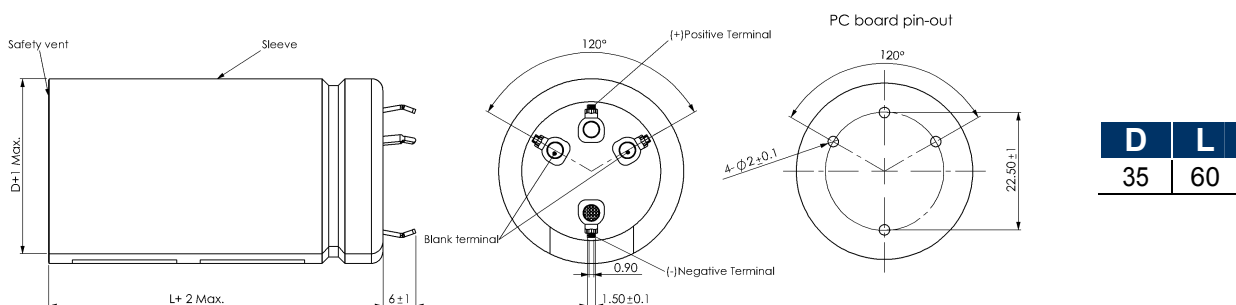
- Pulse power demand
- Hybrid battery packs
- Power tools



Specification

Items	Characteristics	
Rated Voltage	2.7 V	2.3 V
Surge Voltage	2.85 V	2.85 V
Capacitance Tolerance	-20 % / +20 %	-20 % / +20 %
Operating Temperature	-40 °C to 65 °C	-40 °C to 85 °C
Storage Temperature	-40 °C to 70 °C	-40 °C to 85 °C
Endurance	1000hrs @ Operating Temperature at Rated Voltage	△ C Within ±30% of initial measured value ESR Within 2 times of initial specified value
Shelf Life	1000hrs @ Storage Temperature without load	
Life time	10y @ 25 °C at Rated Voltage	
Cycle Life	500k cycles	
Cycle: between specified voltage and half voltage under constant current at 25°C		

Dimensions



Standard Ratings

Rated Cap (F)	Size (mm)	Max. Internal Resistance (mΩ)		Max. LC (mA)	Stored Energy (Wh)	Specific Energy		Specific Power		Max. Peak Current (A)	Max. continuous current (A)	ISC (A)	Max. Weight (g)	Part Number
		AC (1kHz, 1V)	DC			(Wh/kg)	(Wh/l)	Pd (W/kg)	Pmax (W/kg)					
400	35X60	5	12	1.20	0.4050	5.4000	7.0194	972	2025	93.103	26.67	225	75	SNL2R74073560

